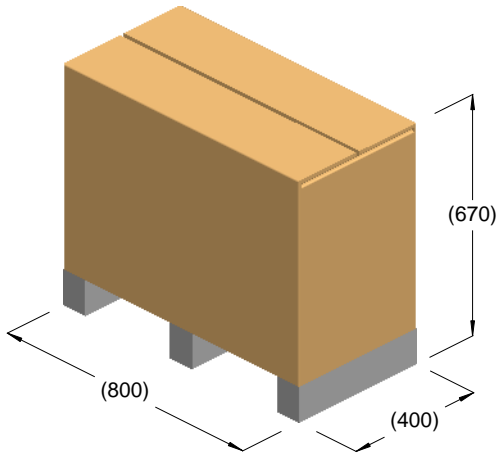
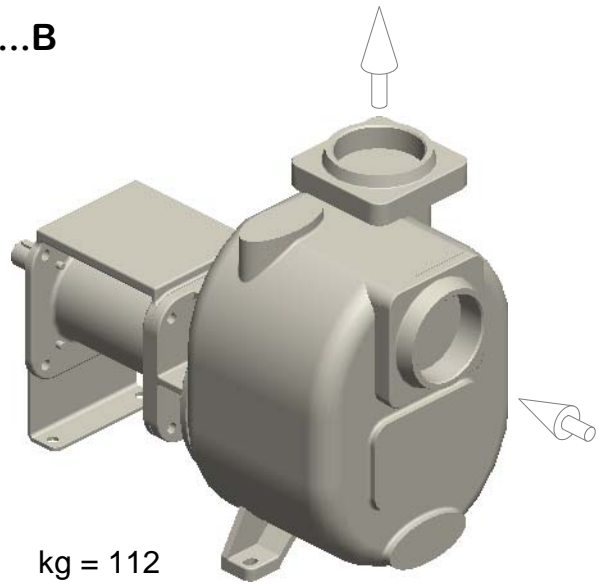


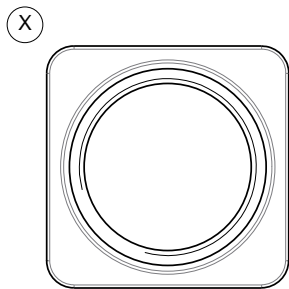
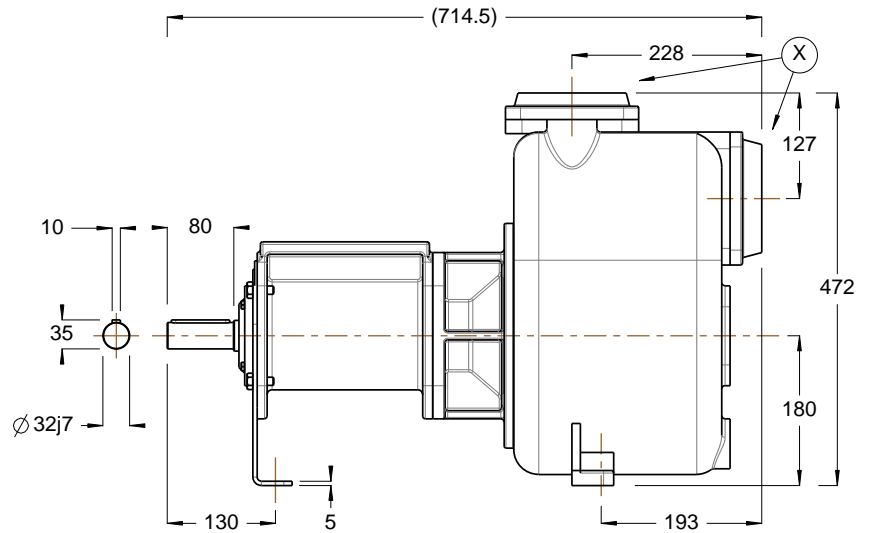
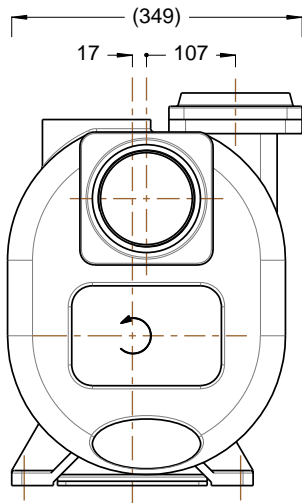
S108 ...B



kg = 119
m³ = 0.21



kg = 112



R4" BSP

