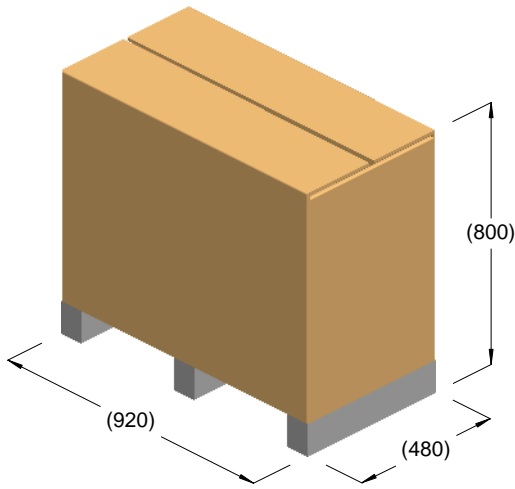
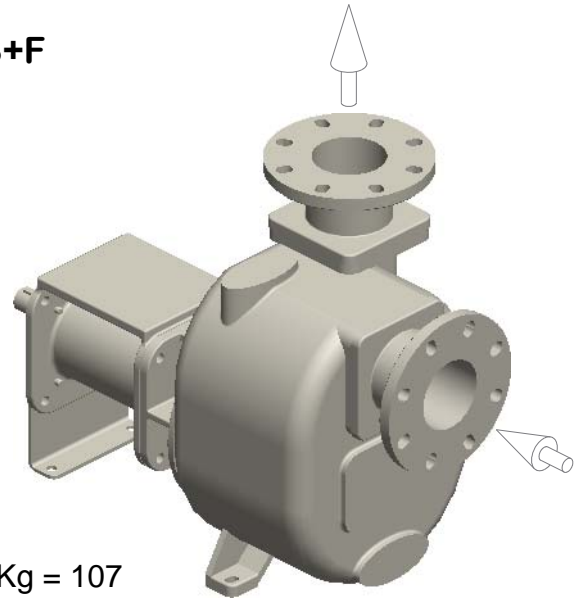


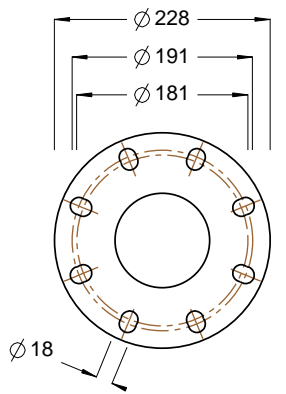
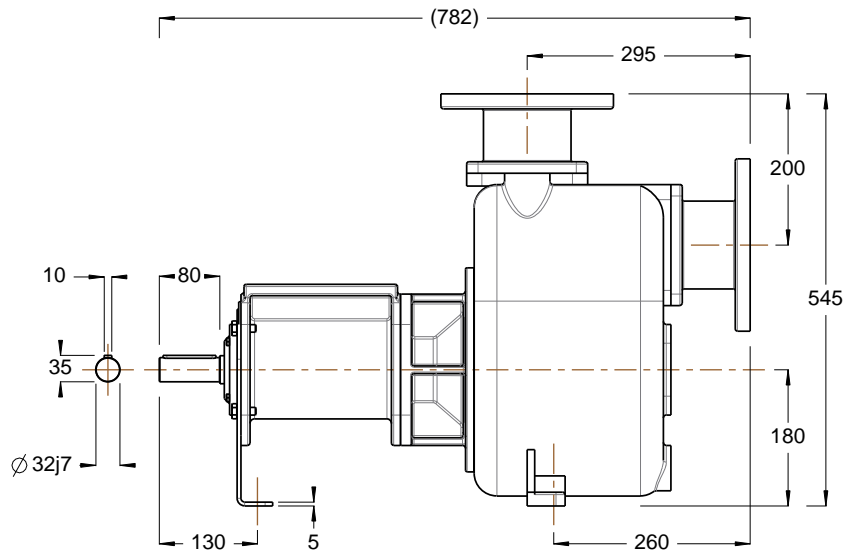
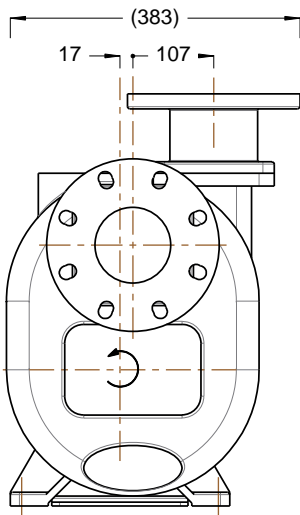
S108 ...B+F



kg = 117
m³ = 0.35



Kg = 107



DN100 PN16 / ASA125 4"

