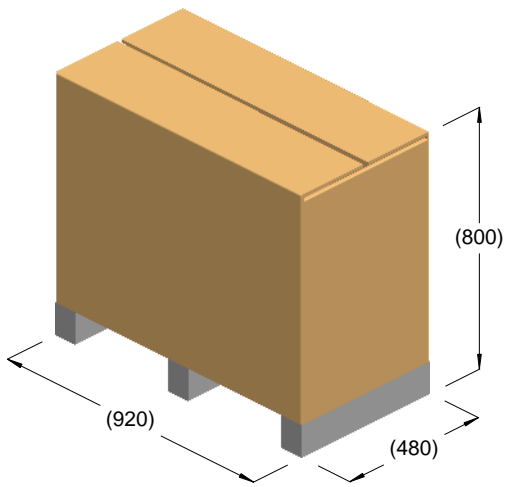
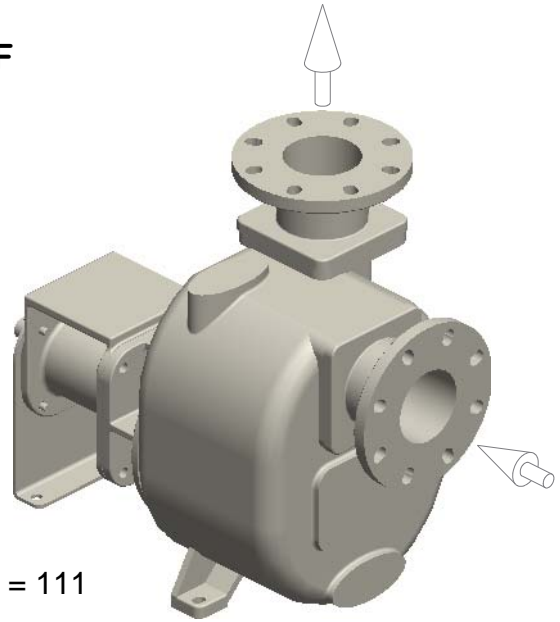


**S105 ...B+F**



kg = 122  
m<sup>3</sup> = 0.35



Kg = 111

