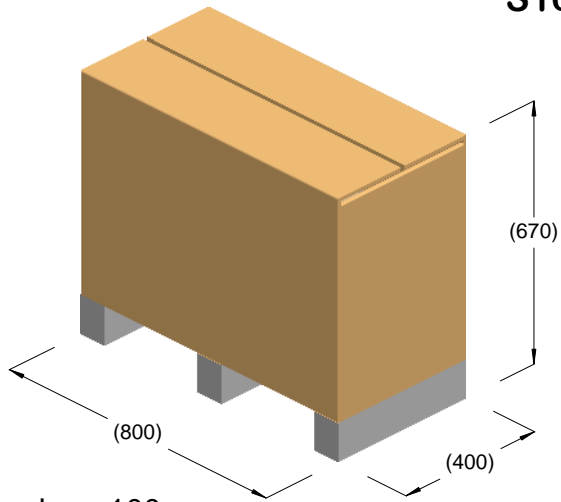
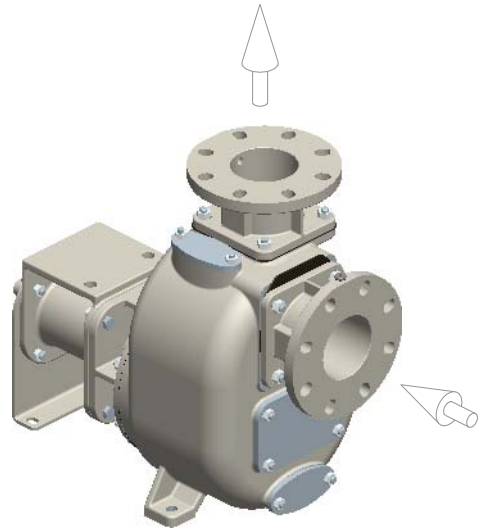


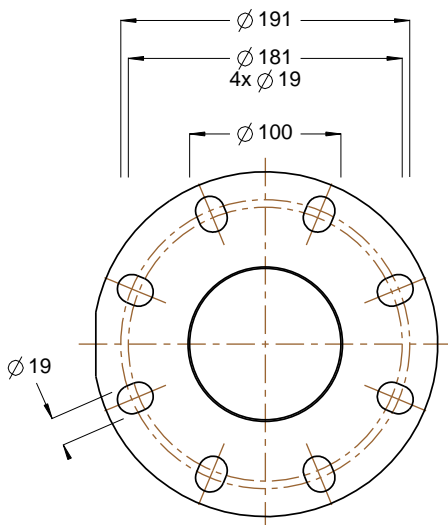
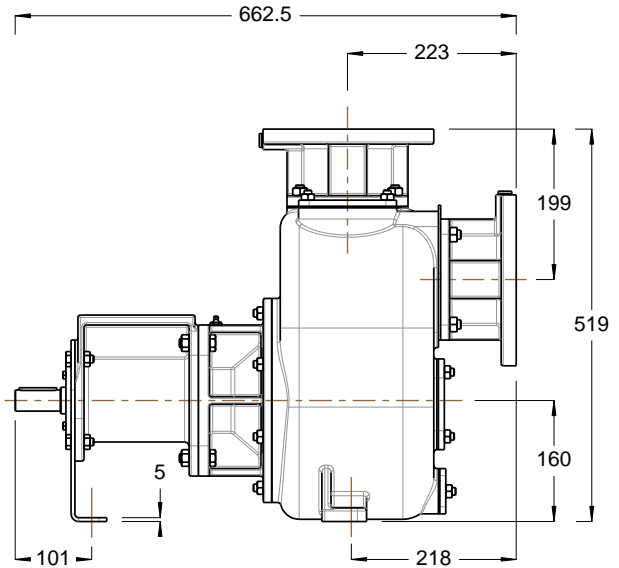
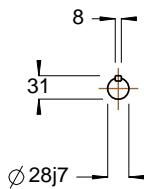
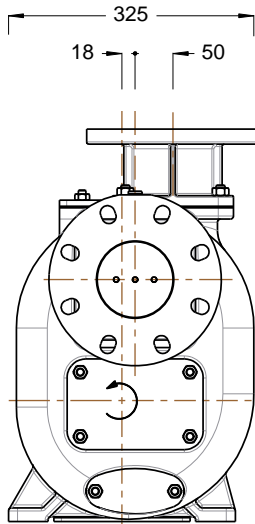
**S100 ...B+F**



kg = 100  
m<sup>3</sup> = 0.21



kg = 93



ISO DN100 PN16  
ANSI 4" 125lb

