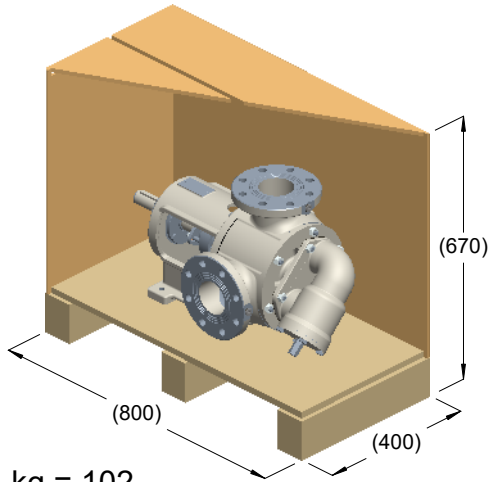
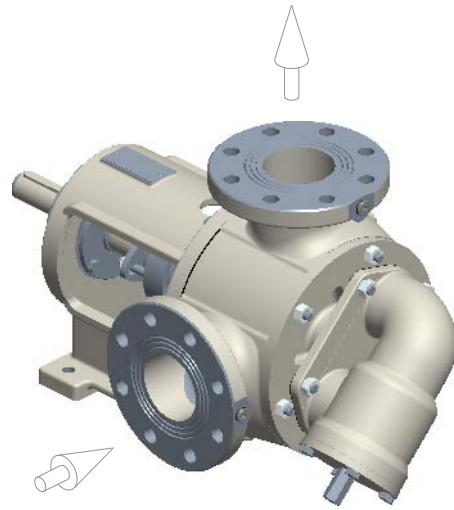


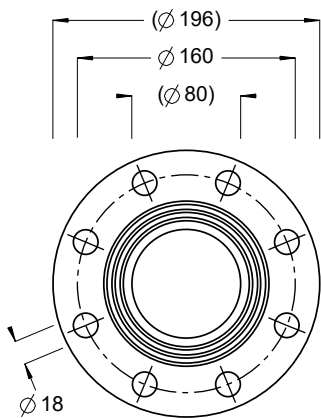
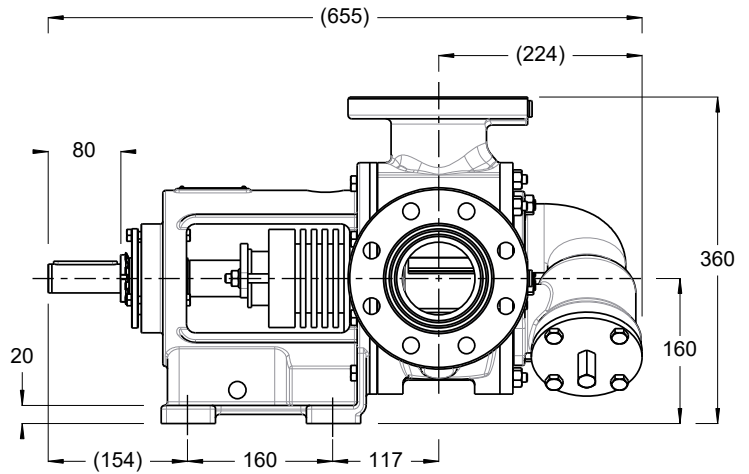
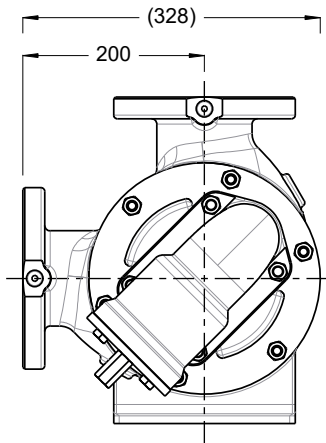
R 80 K..B+Y



kg = 102
m³ = 0.21



kg = 95



ISO DN80 PN16

