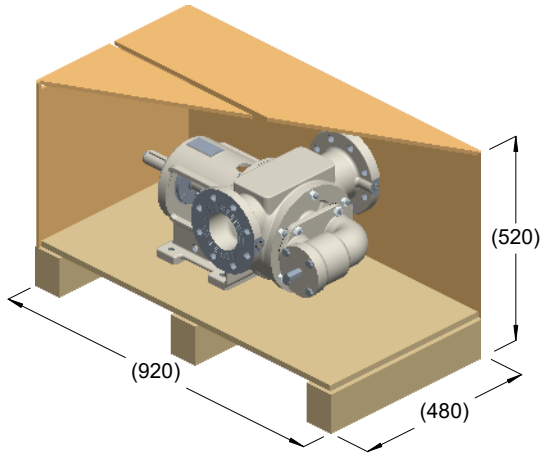
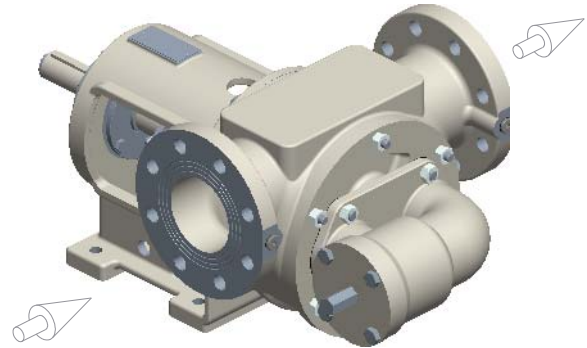


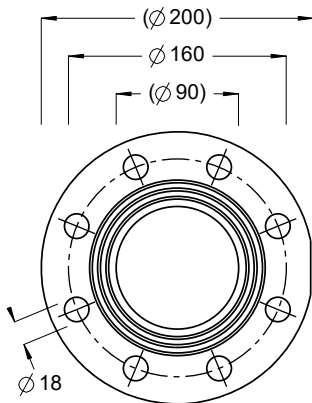
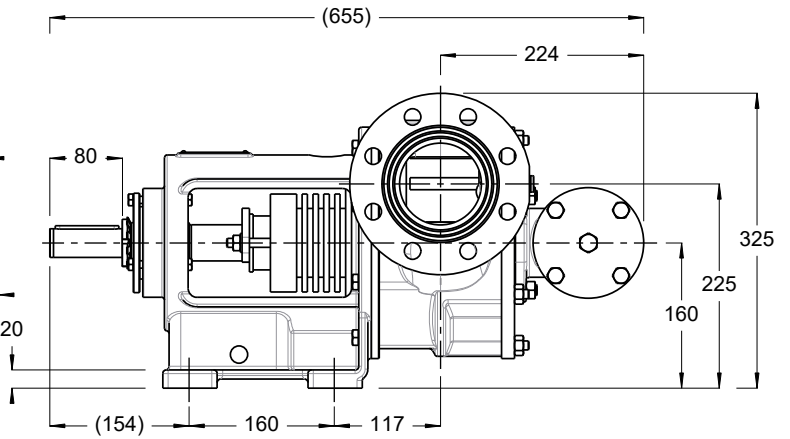
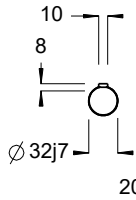
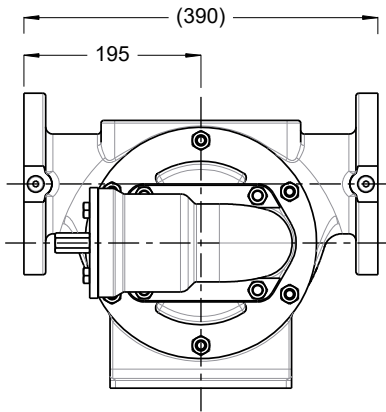
R 80 .L.B+Y



kg = 102
m³ = 0.27



kg = 94



ISO DN80 PN16

