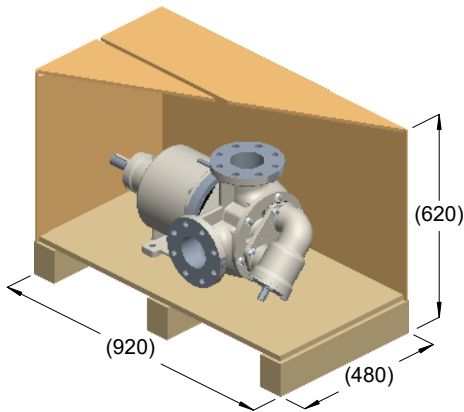
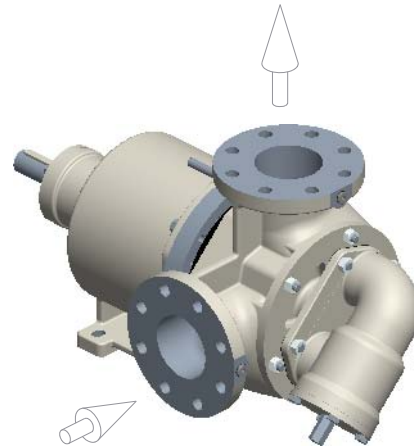


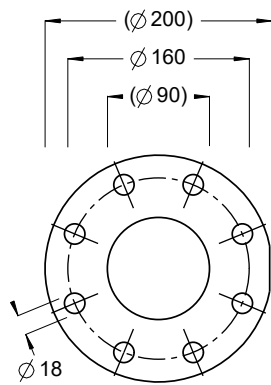
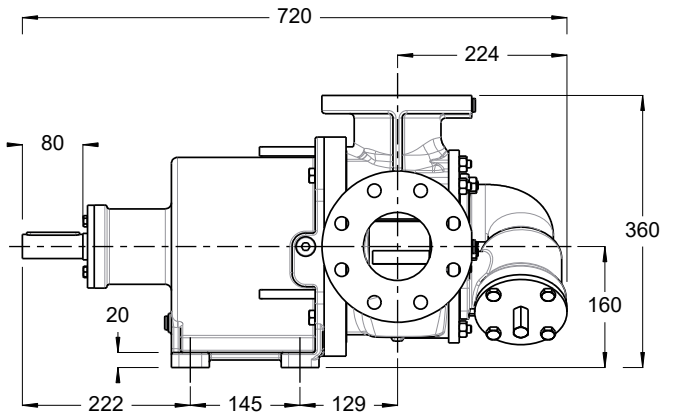
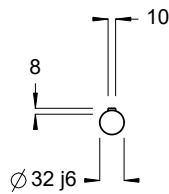
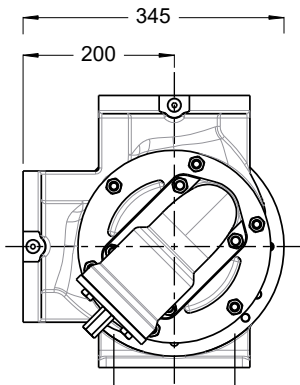
R 80 ...M+Y



kg = 114
m³ = 0.27



kg = 106



ISO DN80 PN16

