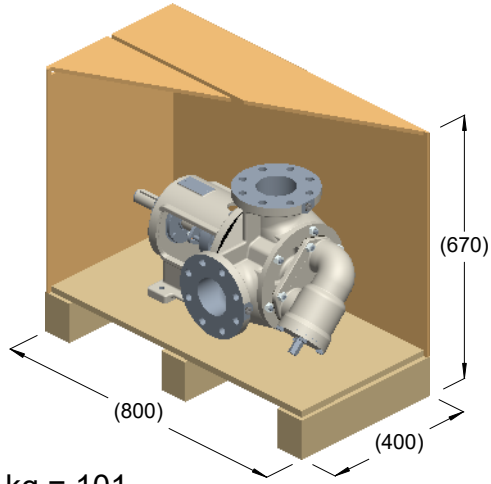
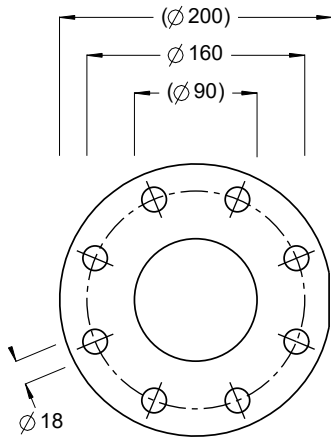
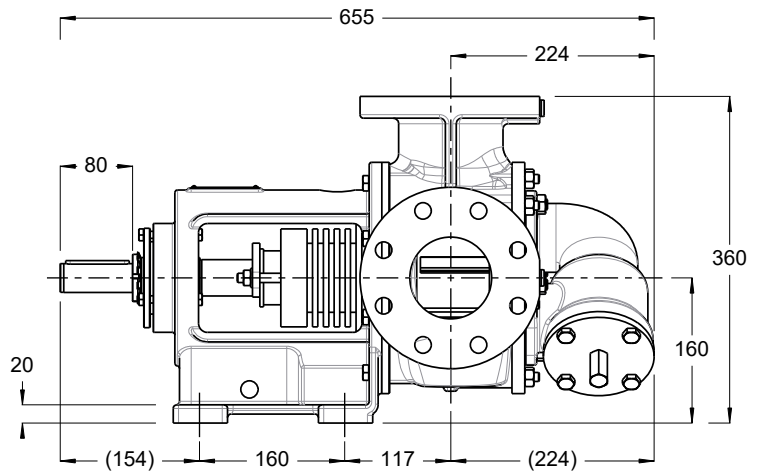
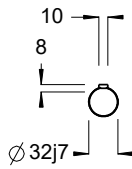
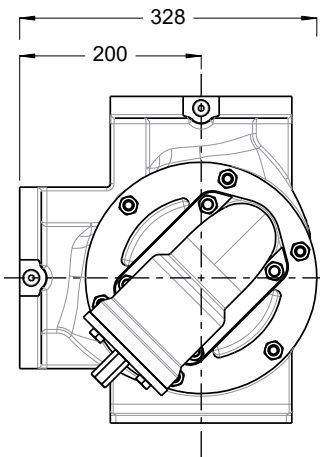
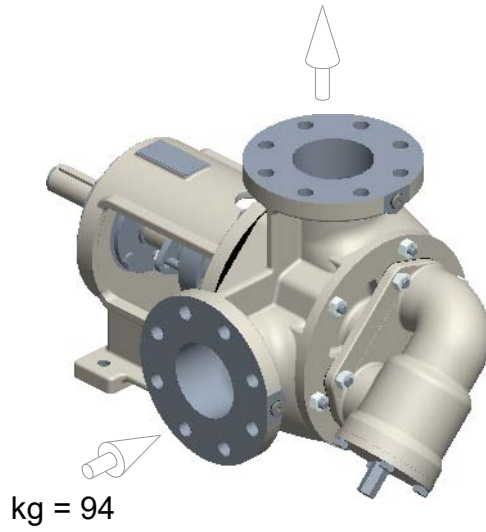


R 80 ...B+Y



kg = 101
m³ = 0.21



ISO DN80 PN16

