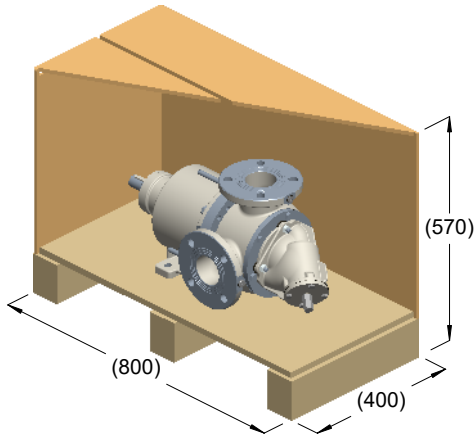
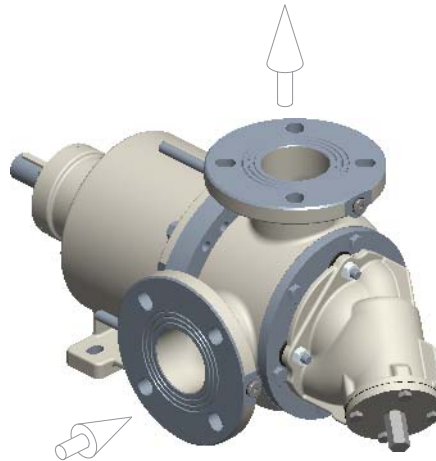


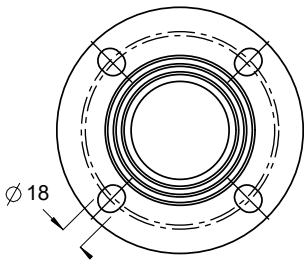
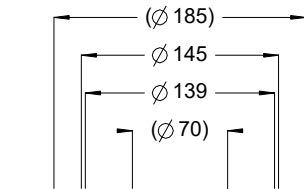
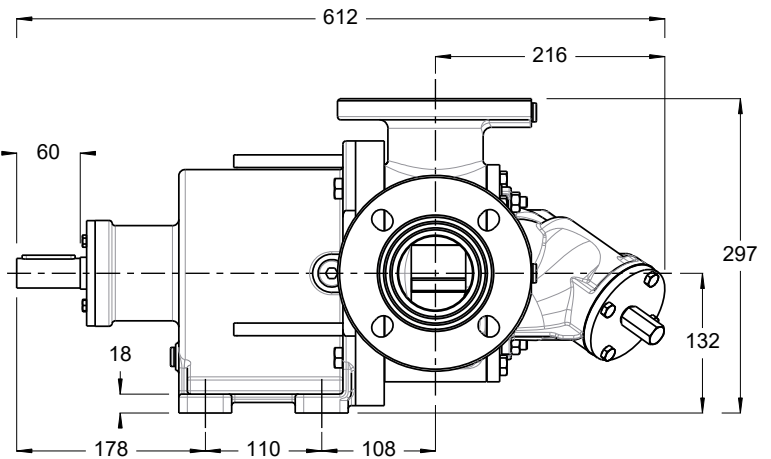
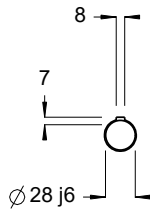
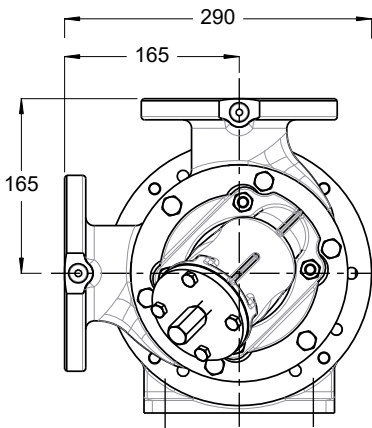
R 65 K..M+Y



kg = 72
m³ = 0.18



kg = 66



ISO DN65 PN16
ANSI 2½" 150lb

