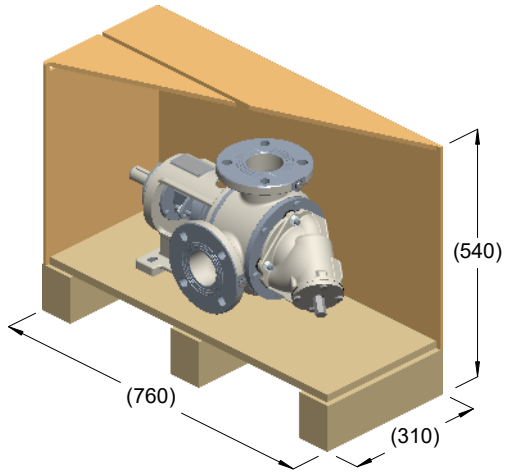
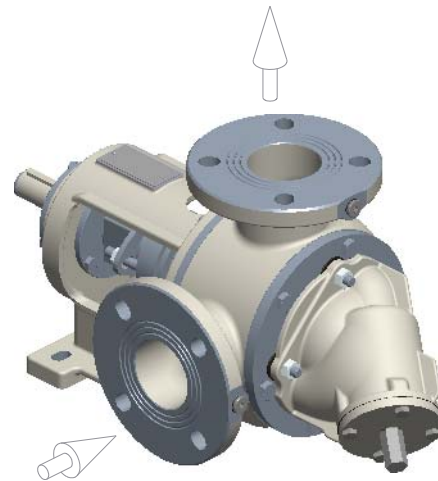


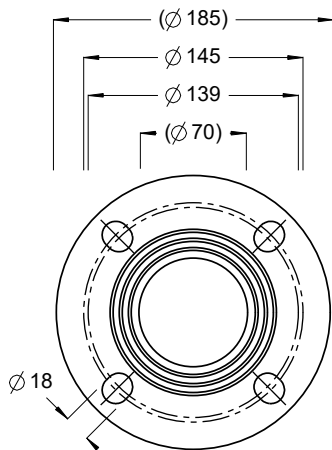
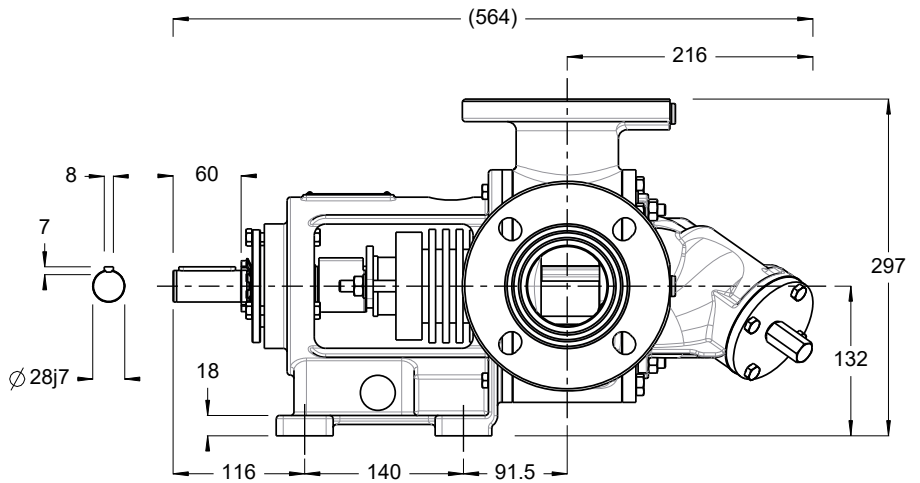
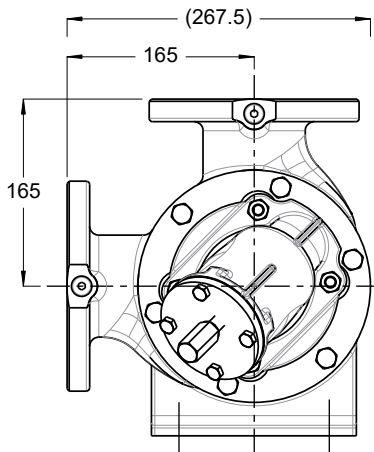
**R 65 K1B+Y**



kg = 62  
m<sup>3</sup> = 0.13



kg = 57



ISO DN65 PN16  
ANSI 2 1/2" 150lb

