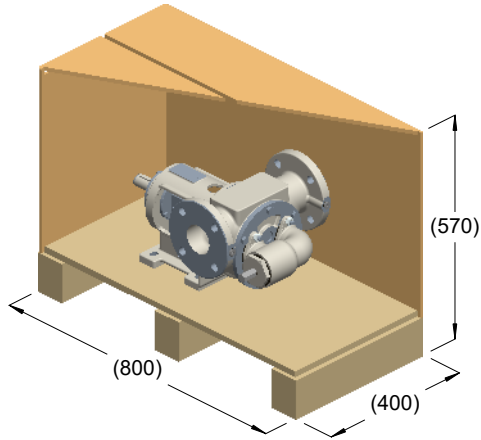
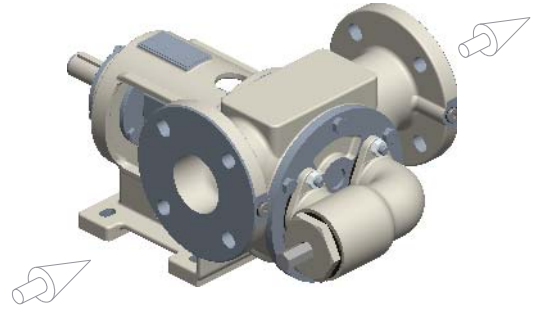


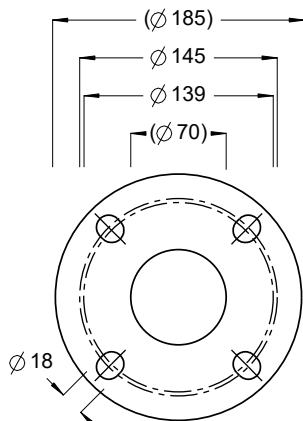
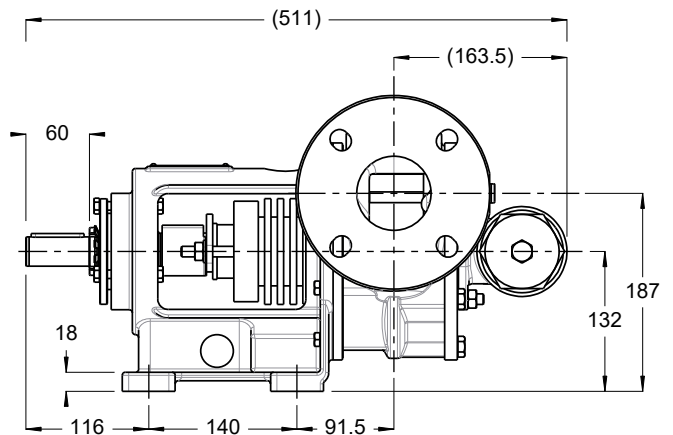
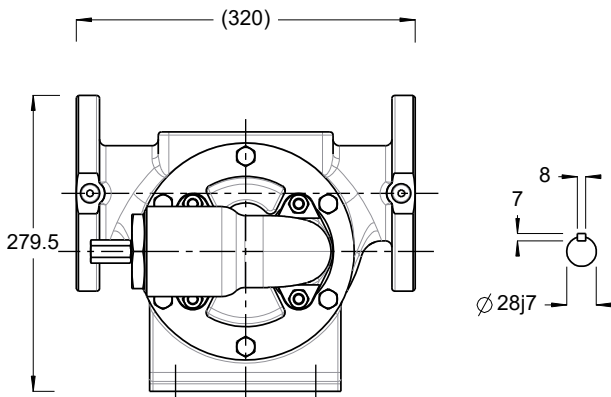
R 65 .L.B+Y



kg = 61
m³ = 0.18



kg = 54



ISO DN65 PN16
ANSI 2½" 150lb

