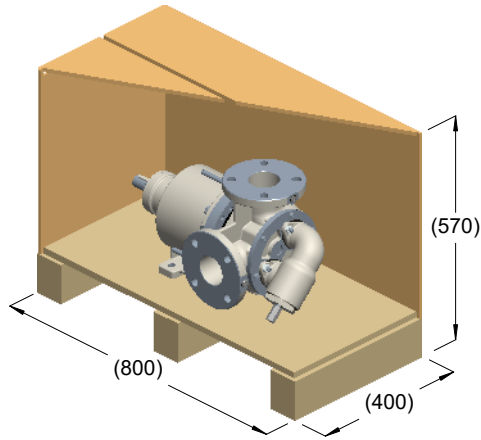
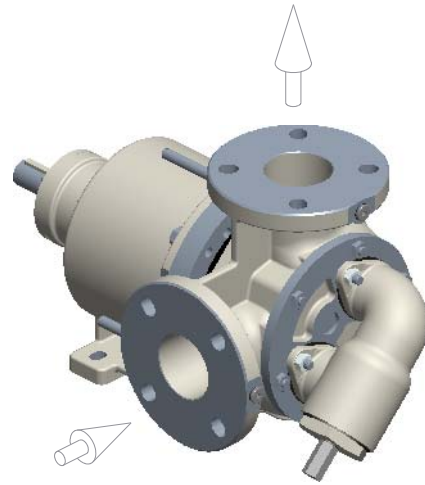


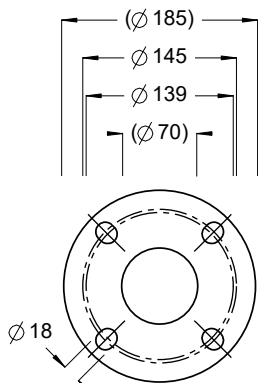
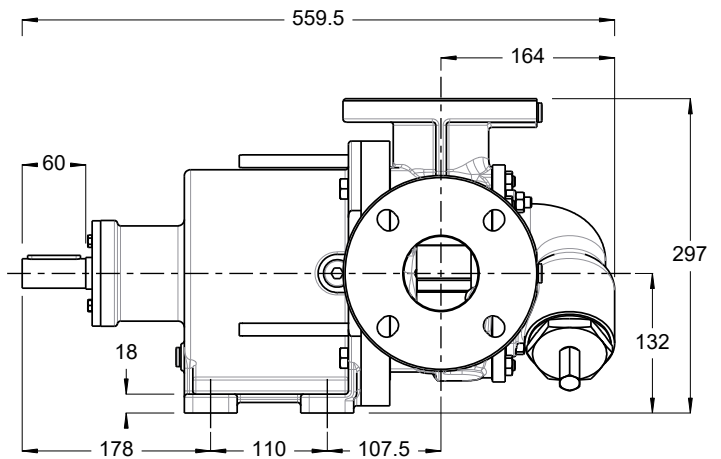
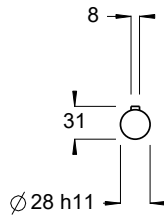
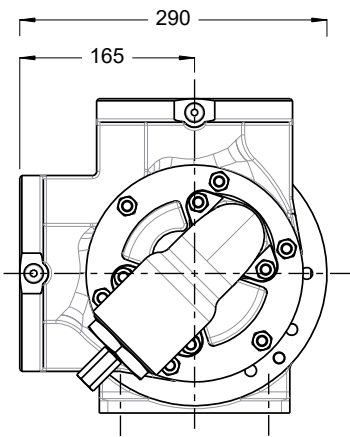
R 65 ...M+Y



kg = 68
m³ = 0.18



kg = 62



ISO DN65 PN16
ANSI 2½" 150lb

