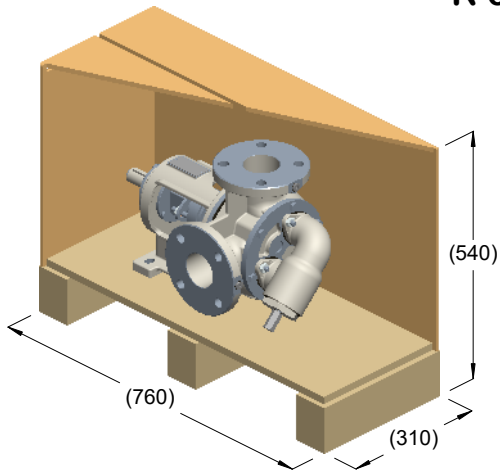
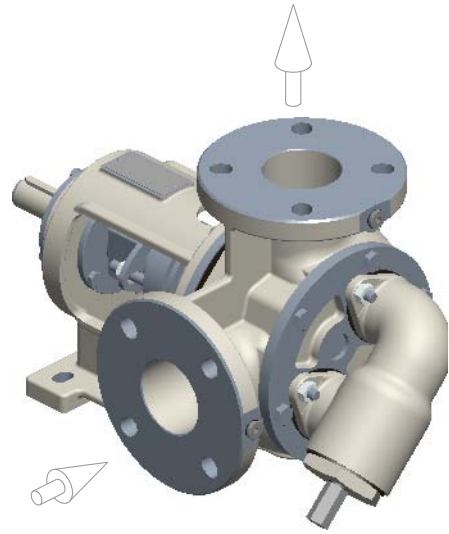


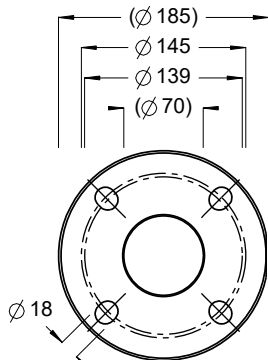
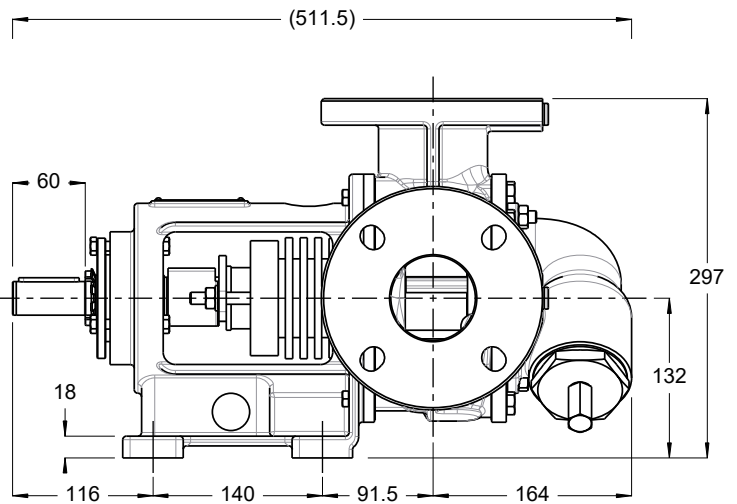
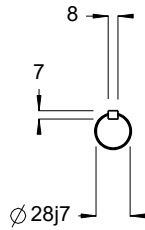
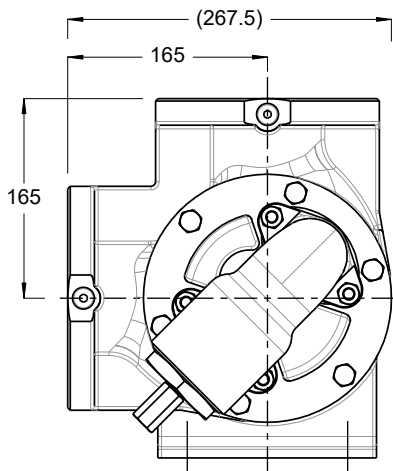
**R 65 ...B+Y**



kg = 58  
m<sup>3</sup> = 0.13



kg = 53



ISO DN65 PN16  
ANSI 2 1/2" 150lb

