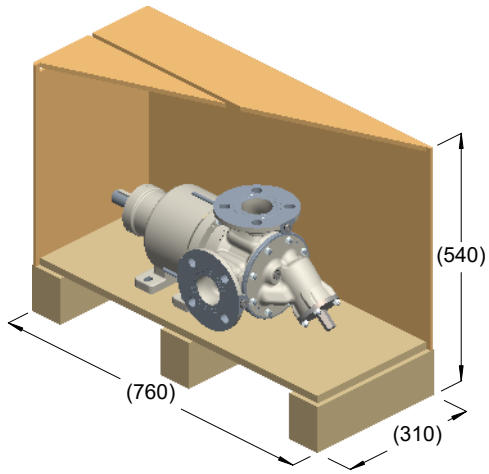
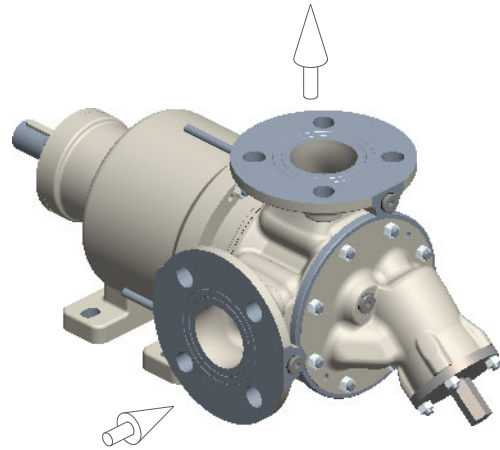




**R 51 K..M+Y**



kg = 55  
m<sup>3</sup> = 0.13



kg = 50

