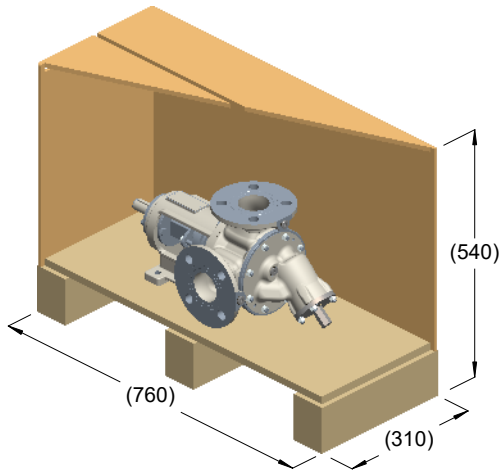
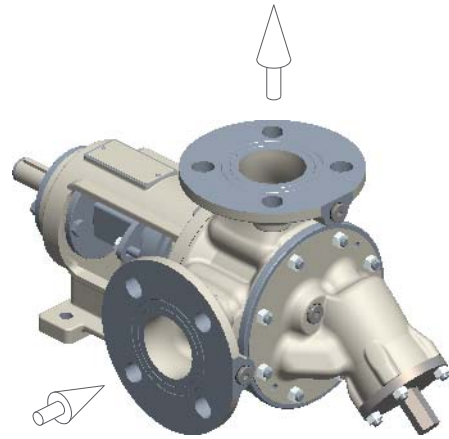


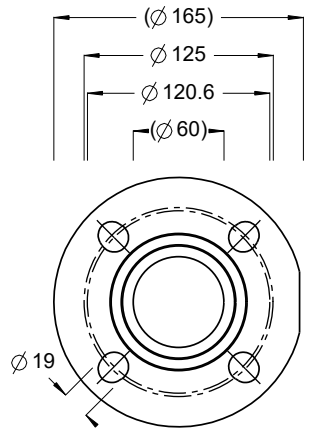
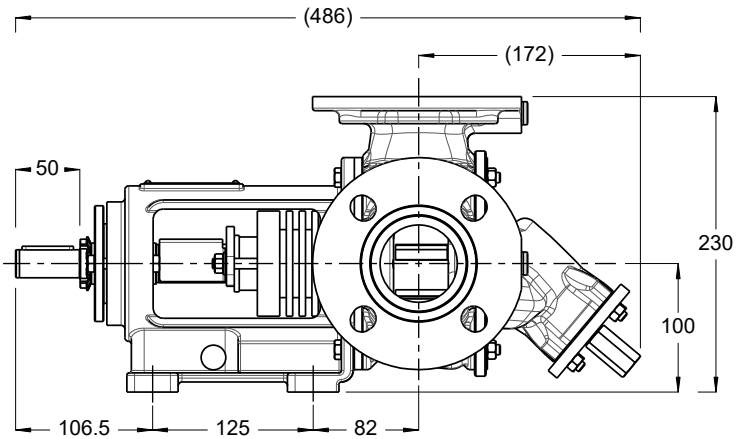
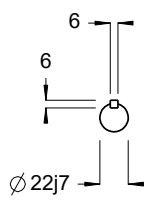
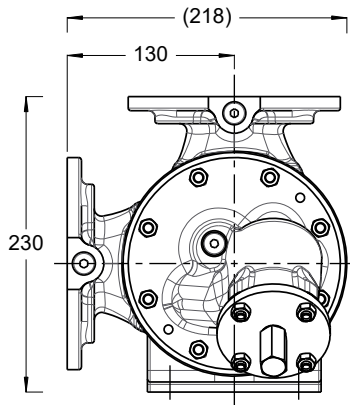
R 51 K..B+Y



kg = 37
m³ = 0.13



kg = 31



ISO DN50 PN16
ANSI 2" 150lb

