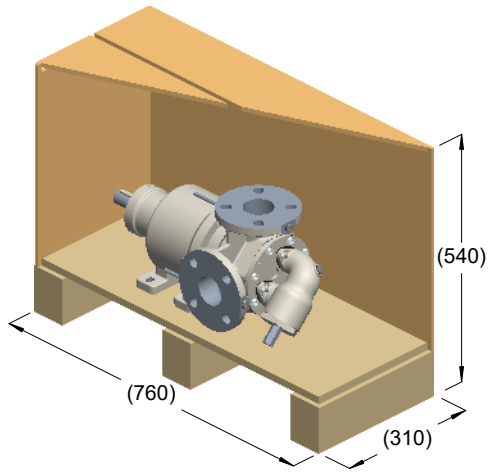
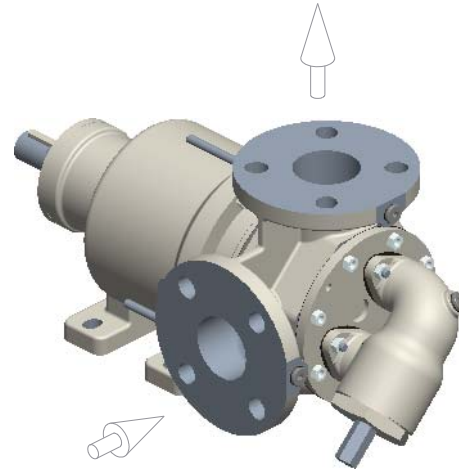


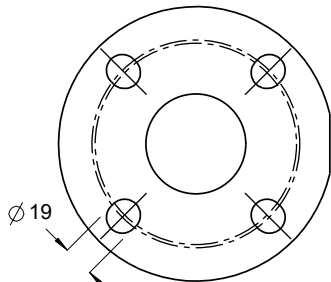
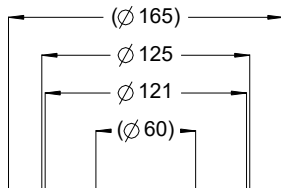
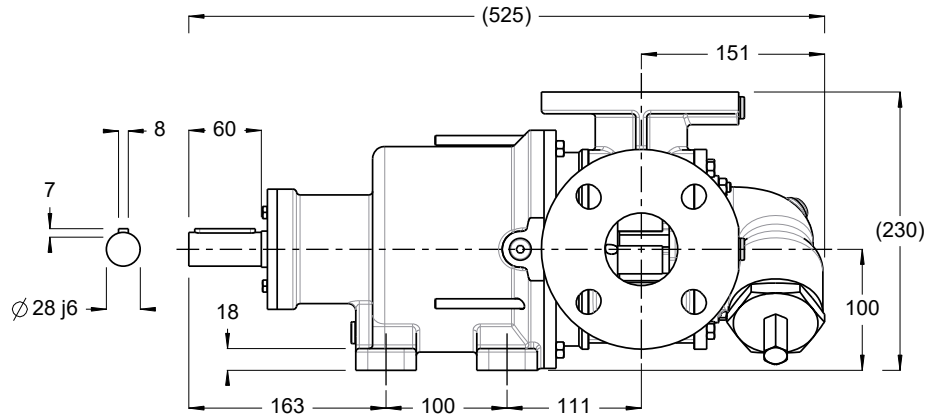
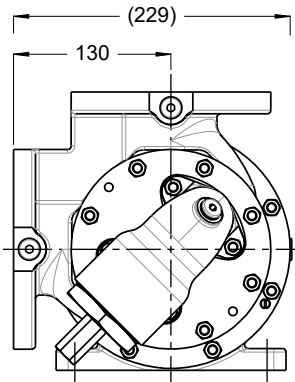
R 50 ... M+Y



kg = 51
m³ = 0.13



kg = 45



ISO DN50 PN16
ANSI 2" 150lb

