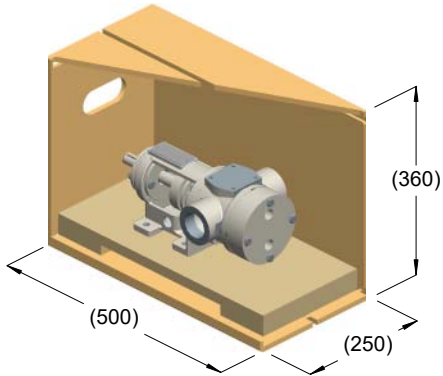
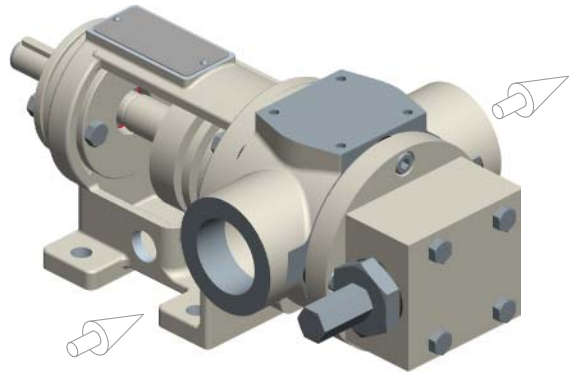


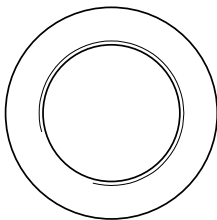
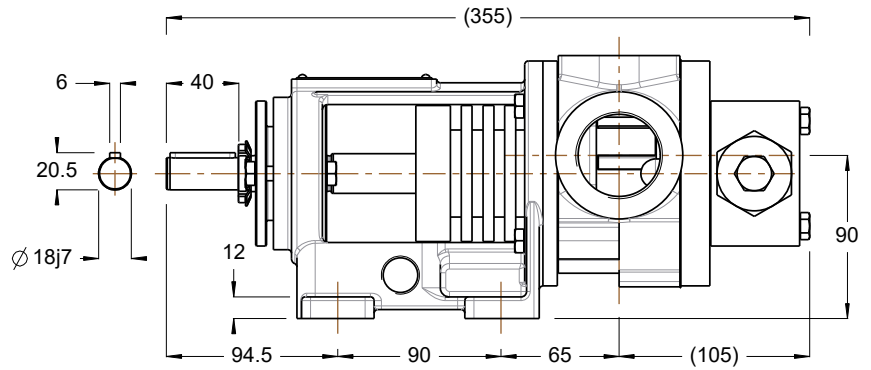
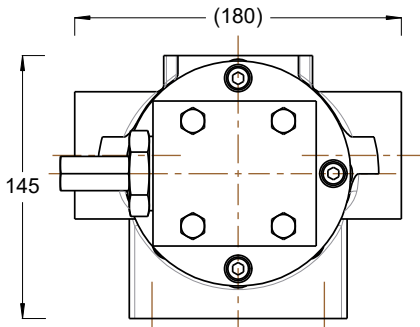
**R 40 .LZ.BF+Y**



kg = 18  
m<sup>3</sup> = 0.05



kg = 16



R 1½" BSP

