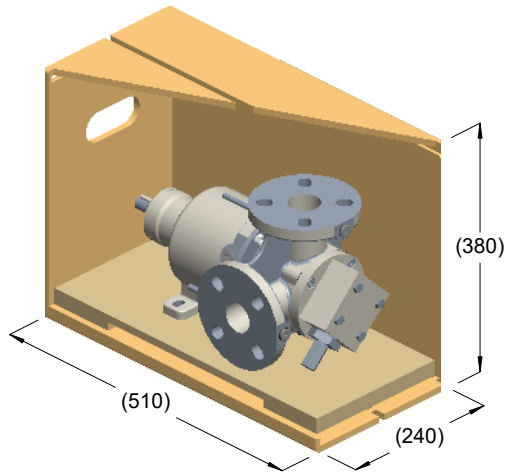
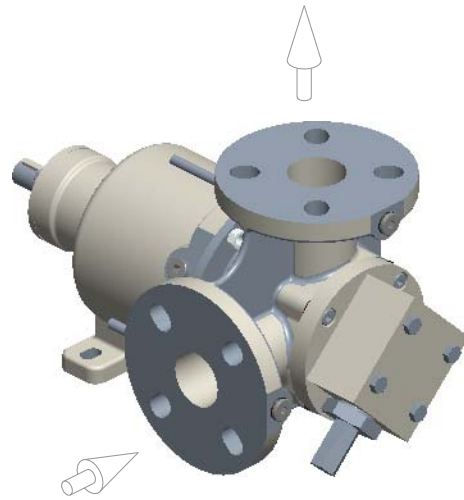


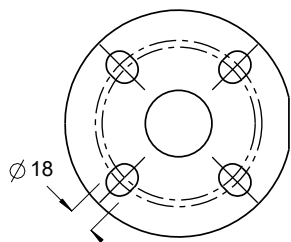
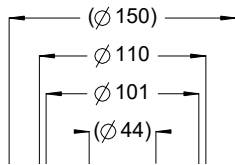
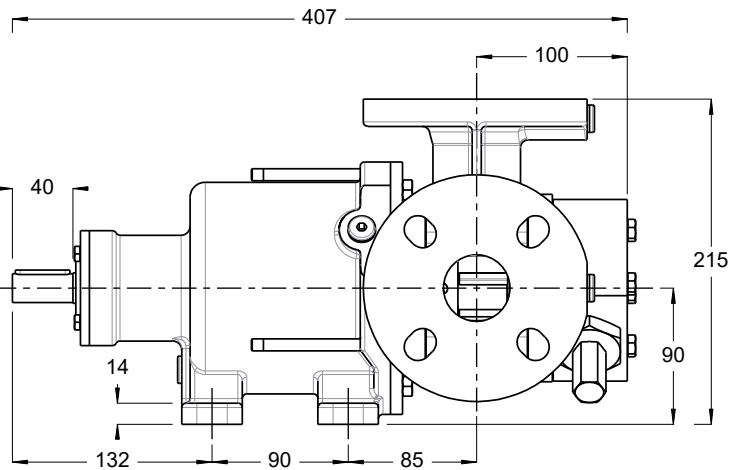
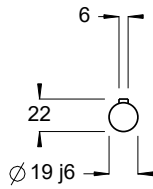
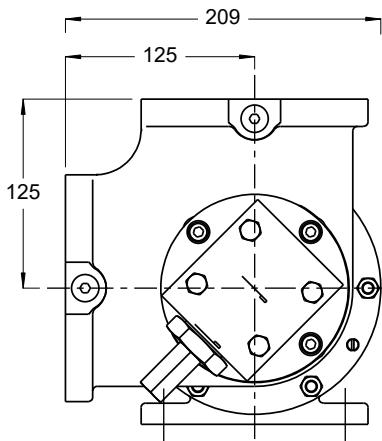
R 35 .1.M+Y



kg = 34
m³ = 0.05



kg = 32



ISO DN40 PN16
ANSI 1/2" 150lb

