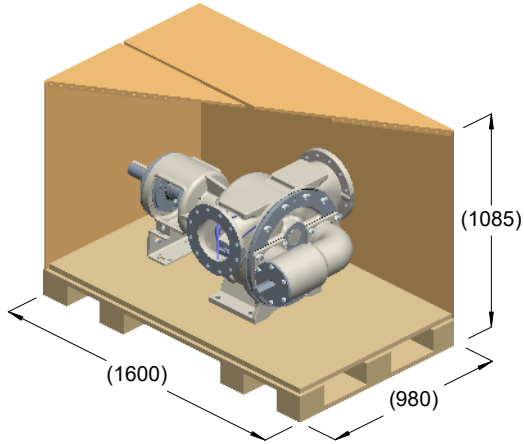
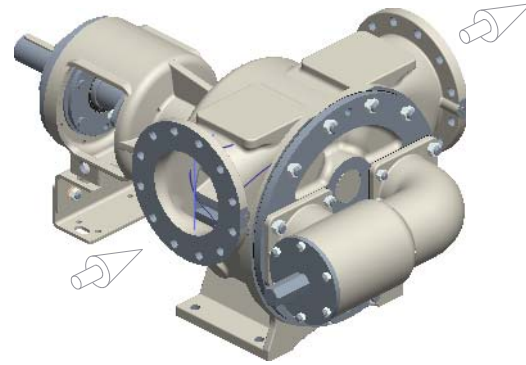


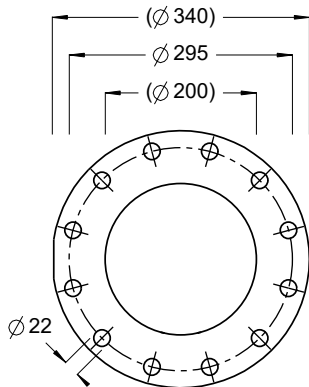
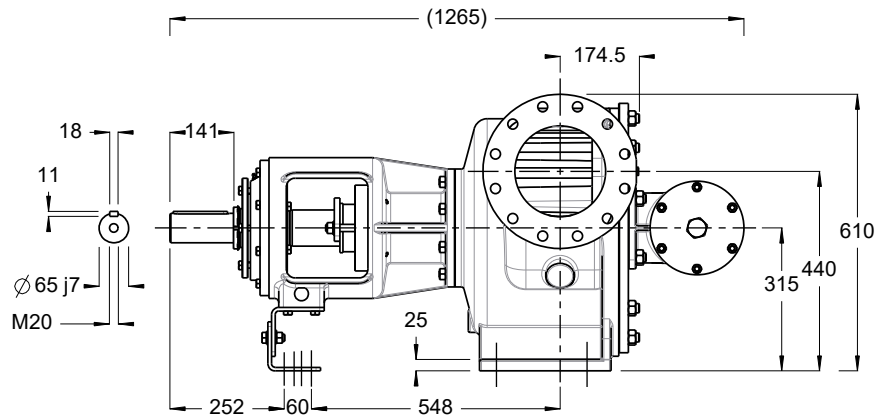
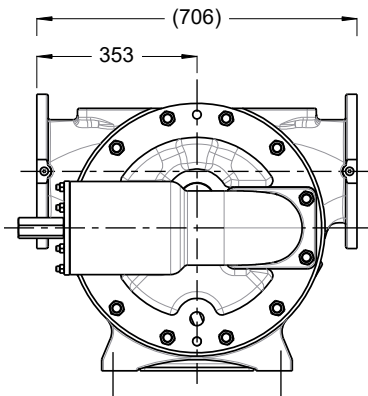
R200 ...A+Y



kg = 599
m³ = 1.70



kg = 548



ISO DN200 PN16
ANSI 8" 125 lb

