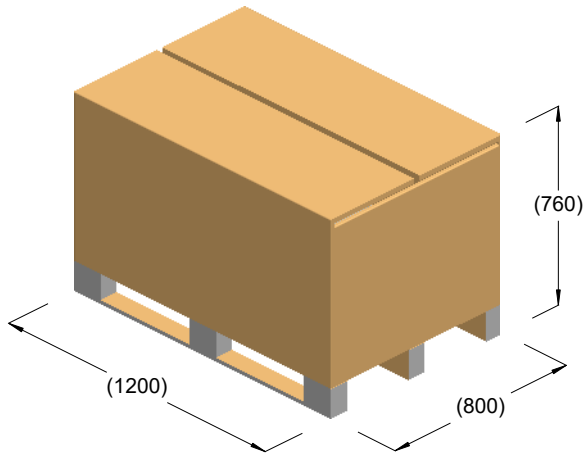
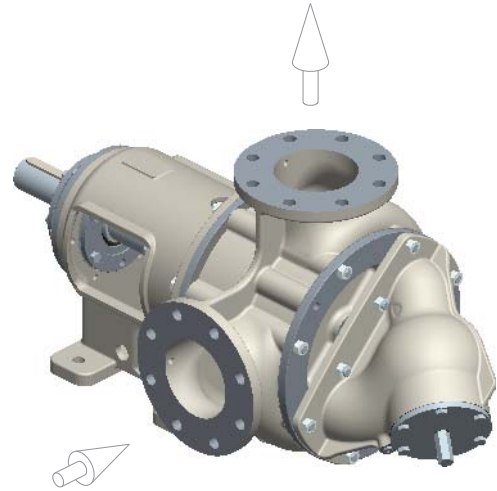


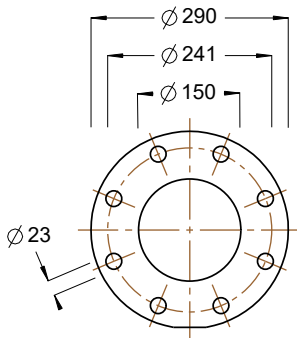
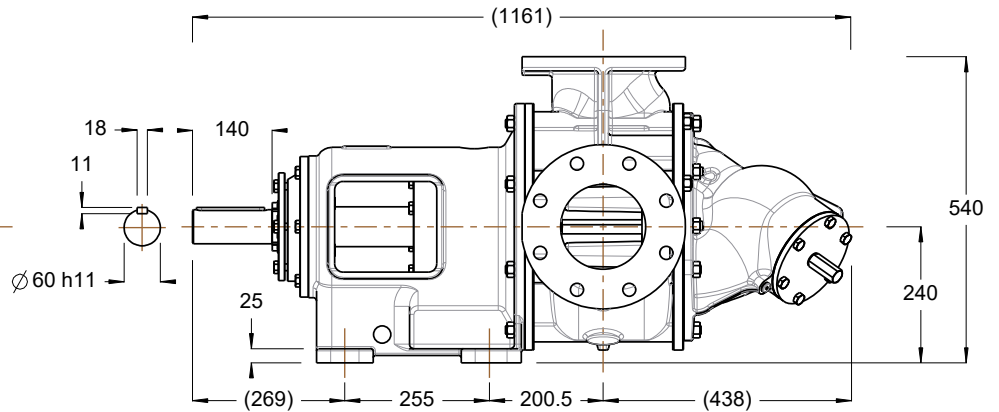
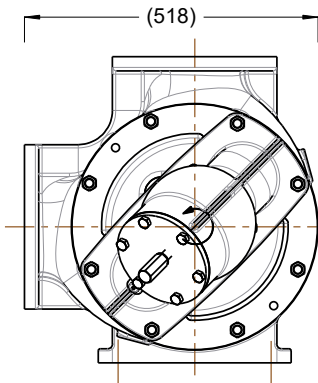
**R180 ...B+Y**



kg = 395  
m<sup>3</sup> = 0.73



kg = 372



2x ISO DN150 PN16  
ANSI 6" 150lb

