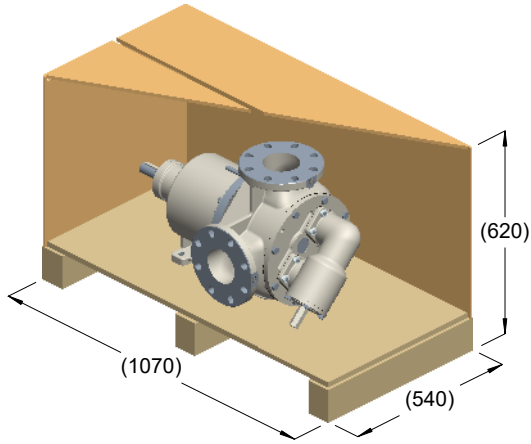
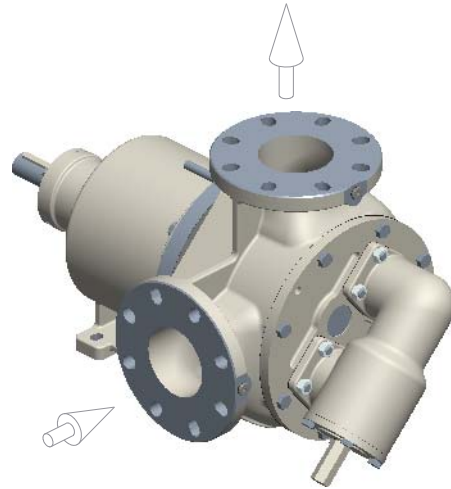


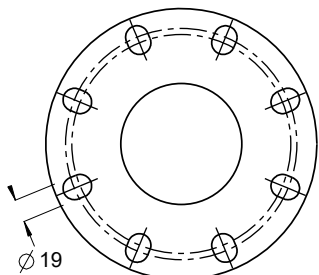
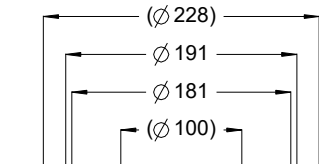
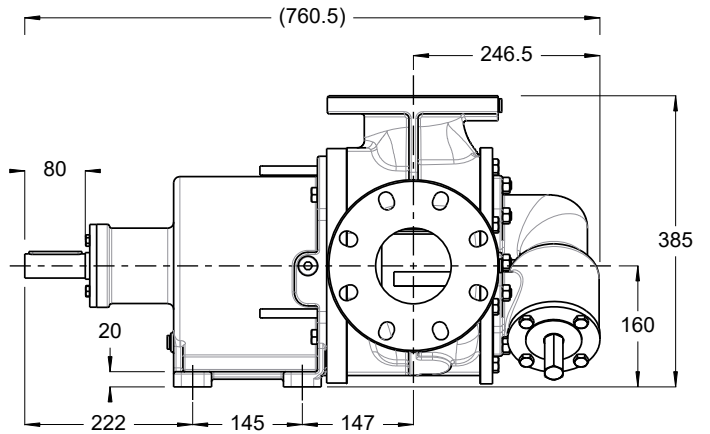
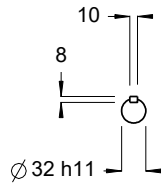
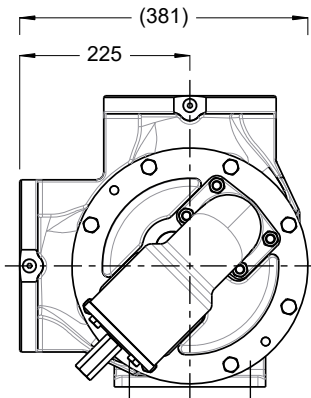
**R105 ...M+Y**



kg = 163  
m<sup>3</sup> = 0.36



kg = 150



ISO DN100 PN16  
ANSI 4" 125lb

