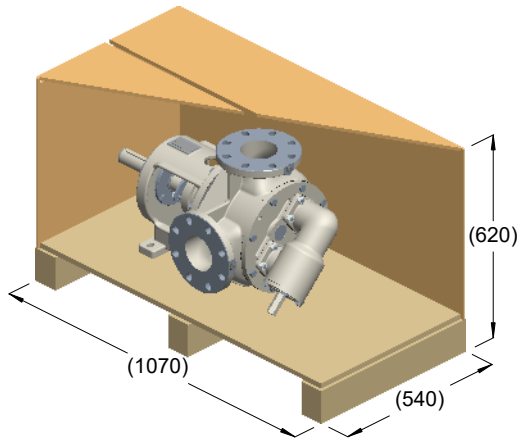
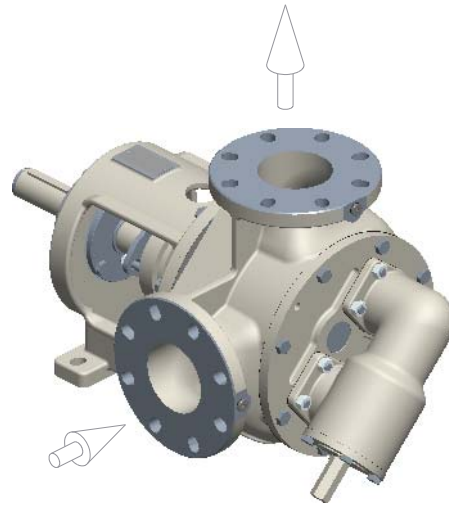


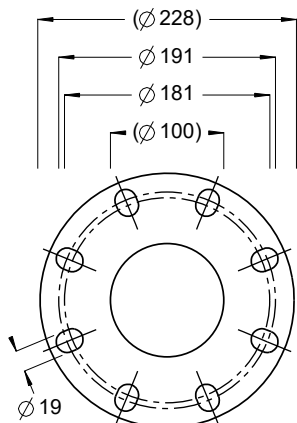
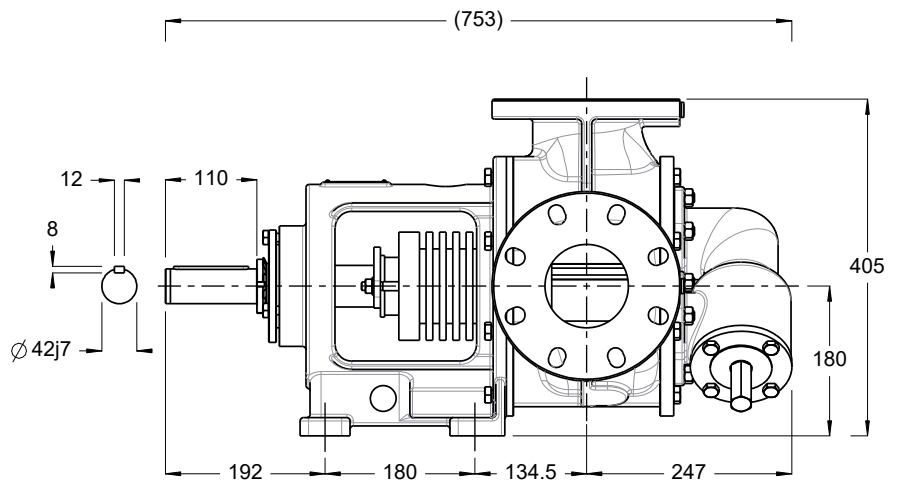
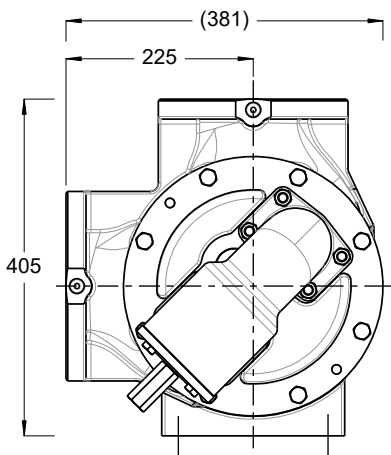
R105 ...B+Y



kg = 165
m³ = 0.36



kg = 152



ISO DN100 PN16
ANSI 4" 125lb

