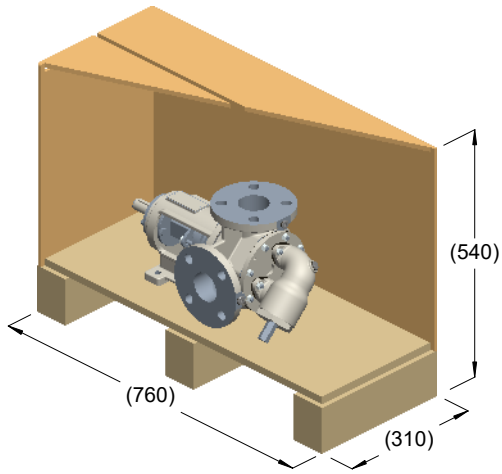
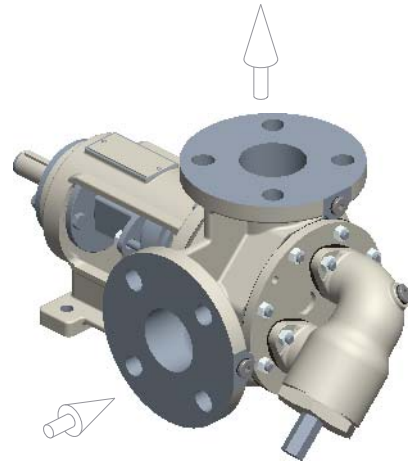


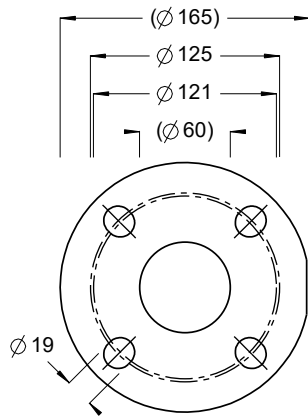
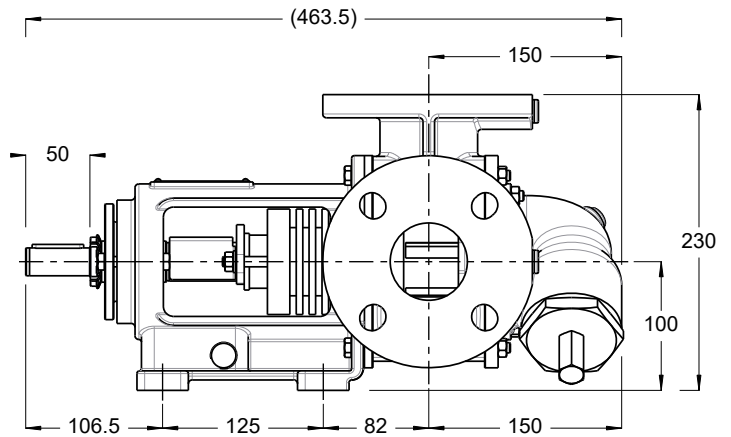
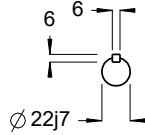
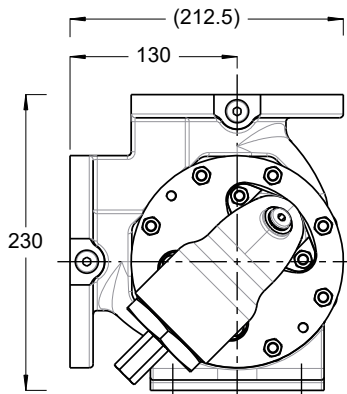
**R 50 ...B+Y**



kg = 38  
m<sup>3</sup> = 0.13



kg = 32



ISO DN50 PN16  
ANSI 2" 150lb

